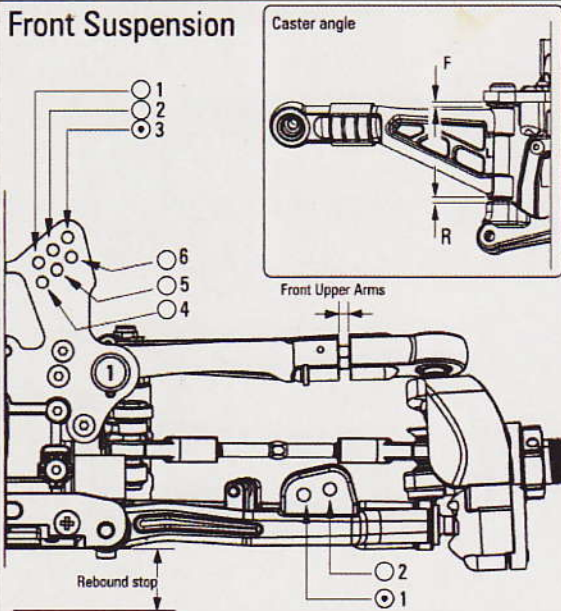


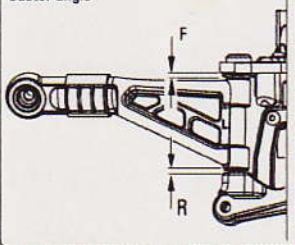
S8 BX

LRP 1/8 SCALE HIGH-PERFORMANCE
4WD NITRO COMPETITION BUGGY

Front Suspension

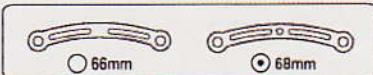
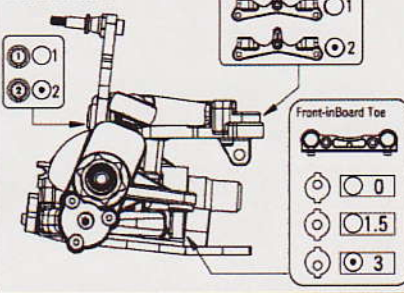


Caster angle



Front Upper Arms

Front Roll Center



Caster angle F _____ 000 mm
R _____ 2 mm
Camber front _____ 2
Rebound stop _____ 1.3 mm

Notes : _____



Front Shocks

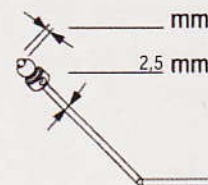
BigBore _____

Oil: _____ 45

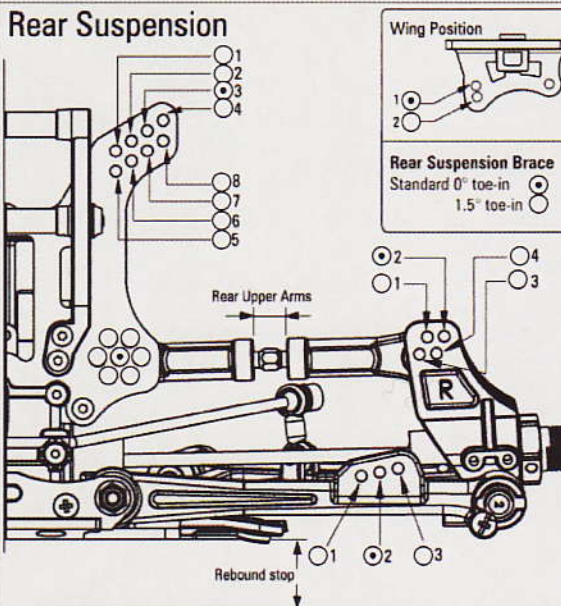
Pistons: 8x1.4

Spring: White

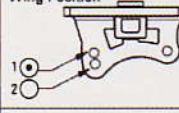
Spacer: _____ mm



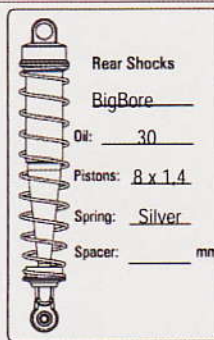
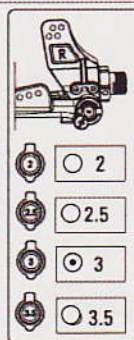
Rear Suspension



Wing Position



Rear Suspension Brace
Standard 0° toe-in
1.5° toe-in



Rear Shocks

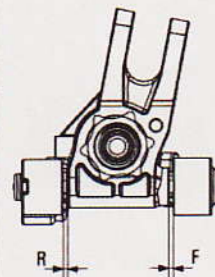
BigBore _____

Oil: _____ 30

Pistons: 8 x 1.4

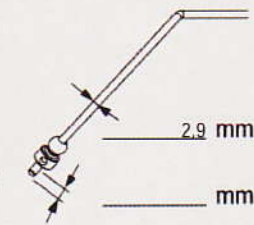
Spring: Silver

Spacer: _____ mm



Wheelbase adjustment
F _____ 0 mm
R _____ 2 mm
Camber rear _____ 3
Rebound stop _____ 1 mm

Notes : _____



Tire

Front

Type : LRP KAMIKAZE SOFT

Foam : LRP

Rear

Type : LRP KAMIKAZE SOFT

Foam : LRP

Clutch

Clutch shoes : Aluminium

Spring : 1 mm

Clutch bell /Spur gear : 13/44

Diff Oil

Front : # 5.000

Center : # 3.000

Rear : # 1.000

Engine

Type : LRP ZR 21X

Gasket : 7 mm

Plug : _____

Muffler : LRP

Fuel : LRP 25%

Track Conditions

Size : Open Med Tight
Traction : High Med Low
Surface : Smooth Med Bumpy

Name : ALBERTO GARCIA

Date : 1st MARCH '09

Track : SERRACINES RC